



Rockport

COMMERCIAL VEHICLES

Electrify Your Delivery Van



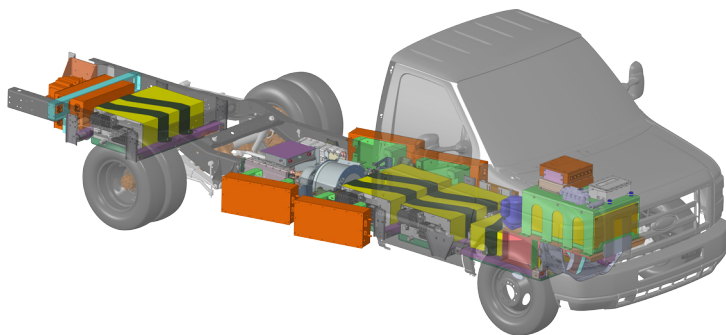
Motiv's patented All-Electric Powertrain replaces the diesel or gasoline engine on a standard truck chassis. Motiv-powered trucks are high quality, zero-emission electric vehicles that have the same capability without noise, pollution, heat or vibration with an 85% reduction in operating costs.

Motiv's All-Electric Powertrain includes a remote real-time data system which monitors vehicle performance, offers preventative and predictive diagnostics and allows remote software updates.



Rockport Commercial Vehicles is a division of one of the world's largest recreational vehicle manufacturers (Forest River, Inc., a Berkshire Hathaway Company). Rockport is one of North America's fastest growing commercial body manufacturers and produce timely, high-quality Van Bodies, Enclosed Service Bodies & Trailers in its Elkhart, IN, & Ocilla, GA, manufacturing facilities.

Specifications



Base Chassis	Ford E450
GVWR	14,500 lbs
Payload	7,890 lbs
Range	68 - 100 miles
Battery Capacity	85 / 106 / 127 kWh
Power	150kW/200HP
Torque	1,200 Nm/885 ft-lbs
Gradeability	13%
Top Speed	60 mph
100% Charge Time	8 hours
50% Charge Time	2 / 2.5 / 3 hours
Charge Voltage & Power	208 V , 25kW
Ambient Temperature	-30° to 120° F

For more information please contact:

sales@motivps.com

Motiv Power Systems
Foster City, CA

www.motivps.com

rockportsales@forestriverinc.com

Rockport Commercial Vehicles
Elkhart, IN & Ocilla, GA

www.rockporttrucks.com