



All-Electric Type A eSeries School Bus

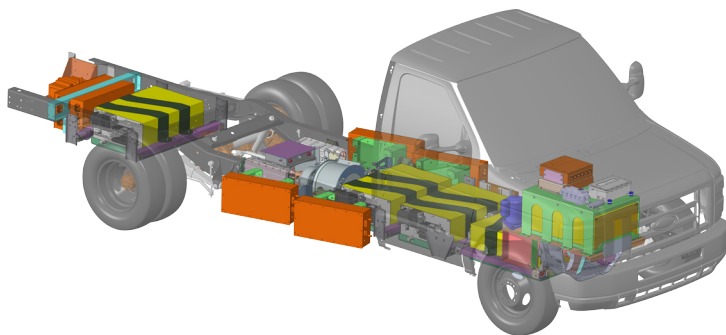


First Priority GreenFleet brings to market end-to-end solutions for fleets across a full product matrix of alternative fuel vehicles designed to offer highly reliable performance, significantly reduce total cost of ownership, lower fuel expenses and diminish our client's environmental footprint.

Motiv's patented All-Electric Powertrain replaces the diesel or gasoline engine on a standard truck chassis. Motiv-powered trucks are high quality, zero-emission electric vehicles that have the same capability without noise, pollution, heat or vibration with an 85% reduction in operating costs. The Powertrain includes a remote real-time data system which monitors vehicle performance, offers preventative and predictive diagnostics and allows remote software updates.

Trans Tech manufactures industry-leading Type-A school buses, Multifunction School Activity Buses and Altoona-tested commercial buses. Trans Tech meets ever-changing customer demand with its Versa-Track seating system ranging from 9 to 30 passengers. Trans Tech buses are tough and designed for safety with pan-formed floors and bolted safety-cages. Trans Tech is bringing green solutions to the market with aerodynamic designs and its all-electric eSeries.

Specifications



Base Chassis	Ford E450
GVWR	14,500 lbs
Payload	7,890 lbs
Range	68 - 85 miles
Battery Capacity	85 / 106 kWh
Power	150kW/200HP
Torque	1,200 Nm/885 ft-lbs
Gradeability	13%
Top Speed	60 mph
100% Charge Time	8 hours
50% Charge Time	2 / 2.5 hours
Charge Voltage & Power	208 V , 25kW
Ambient Temperature	-30° to 120° F

For more information please contact:

Jon Van Bogart
Western Regional Sales
First Priority GreenFleet
805.610.3671
jvb@firstpriorityglobal.net

Brett Gipe
VP of Sales
Motiv Power Systems
650.730.7604
bgipe@motivps.com